



# Dispensers

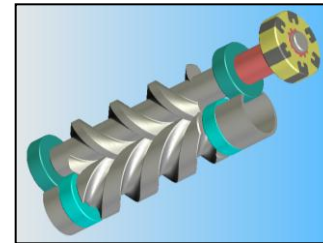
Wayne Xflo™ Benefits



**Wayne's Xflo™ meter addresses all known issues associated with traditional piston meters...**

## Issues we Know About Piston Meters

- Initial seals settle causing meter drift post installation.
- Have many mechanical parts & points of friction:
  - *Causes wear & meter drift over time*
  - *More failure points*
- Drift in accuracy means frequent calibration
- Positive displacement piston technology – Introduced 50 years ago





# Dispensers

Wayne Xflo™ Benefits



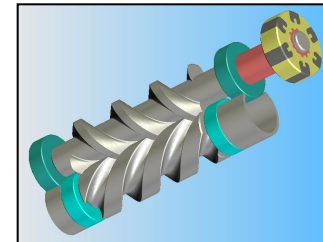
**Wayne's Xflo™ meter addresses all known issues associated with traditional piston meters...**

## Issues we Know About Piston Meters

- Initial seals settle causing meter drift post installation.
- Have many mechanical parts & points of friction:
  - *Causes wear & meter drift over time*
  - *More failure points*
- Drift in accuracy means frequent calibration
- Positive displacement piston technology – Introduced 50 years ago

## Wayne's XFlo Meter

- Virtually eliminates the need to recalibrate
- Offers unmatched accuracy over service lifetime
- Standard new generation meter platform for Wayne on global basis
- Field proven technology: 3,000+ units installed since 2001
- The meter features hardened bearing steel, twin screw rotors housed in a compact package





# Dispensers

Wayne Xflo™ Benefits



**Wayne's Xflo™ meter addresses all known issues associated with traditional piston meters...**

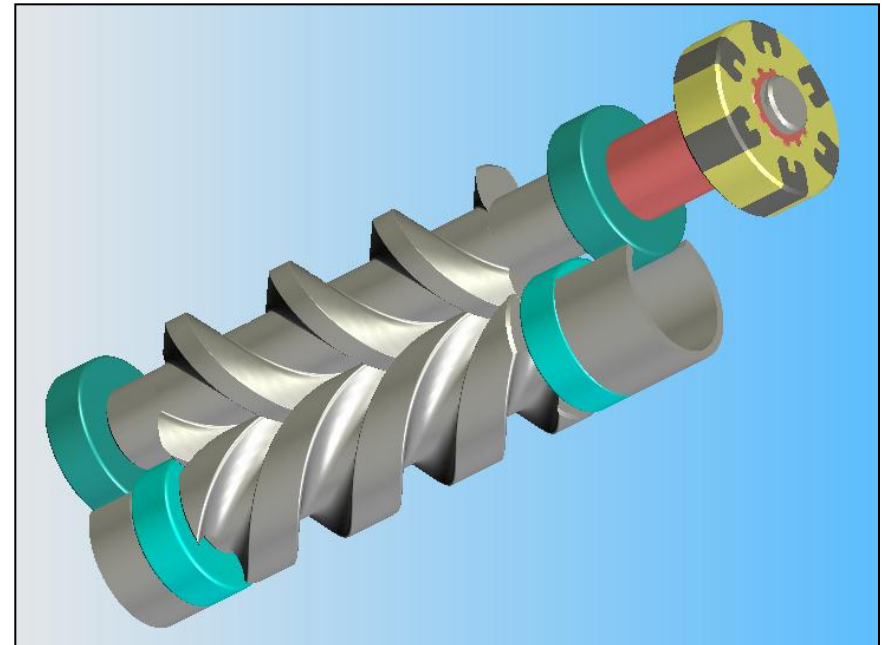
## Issues we Know About Piston Meters

- Initial seals settle causing meter drift post installation.
- Have many mechanical parts & points of friction:
  - *Causes wear & meter drift over time*
  - *More failure points*
- Drift in accuracy means frequent calibration
- Positive displacement piston technology – Introduced 50 years ago

## Wayne's XFlo Meter

- Virtually eliminates the need to recalibrate
- Offers unmatched accuracy over service lifetime
- Standard new generation meter platform for Wayne on global basis
- Field proven technology: 3,000+ units installed since 2001
- The meter features hardened bearing steel, twin screw rotors housed in a compact package

## Rotors - Hardened Bearing Steel





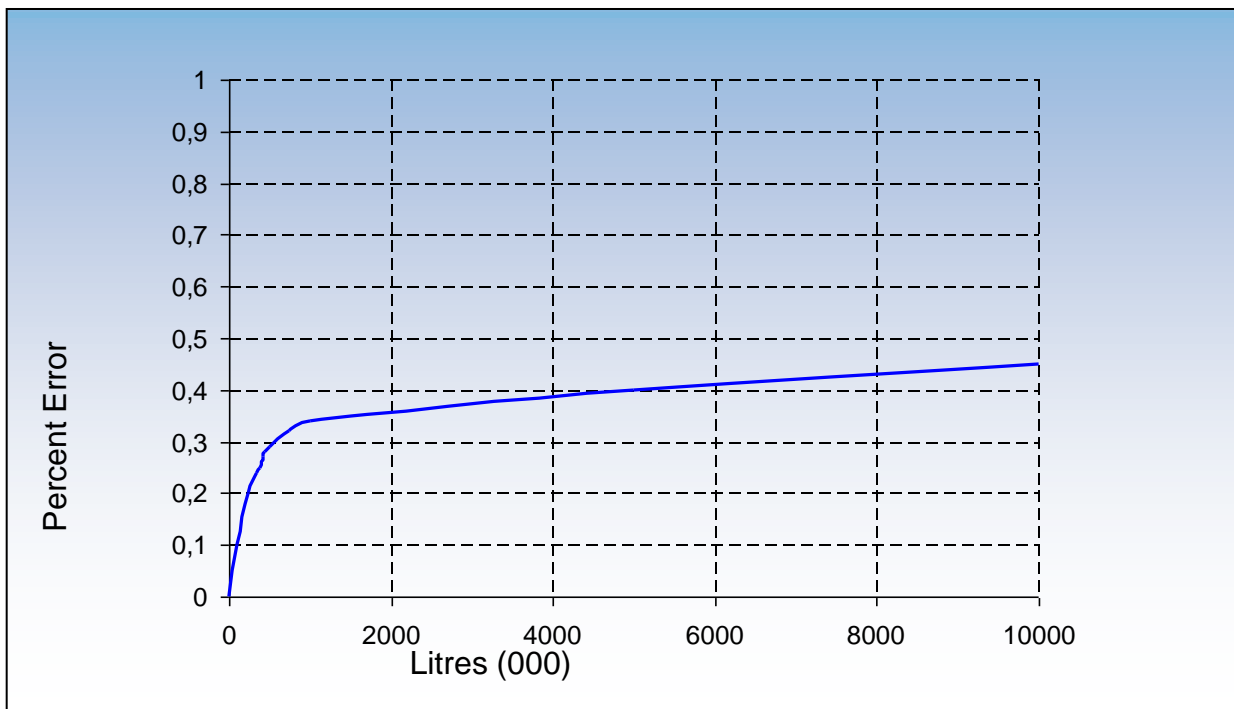
# Dispensers

Wayne Xflo™ Benefits



Wayne's Xflo™ meter addresses all known issues associated with traditional piston meters...

## Typical Piston Meter Accuracy





# Dispensers

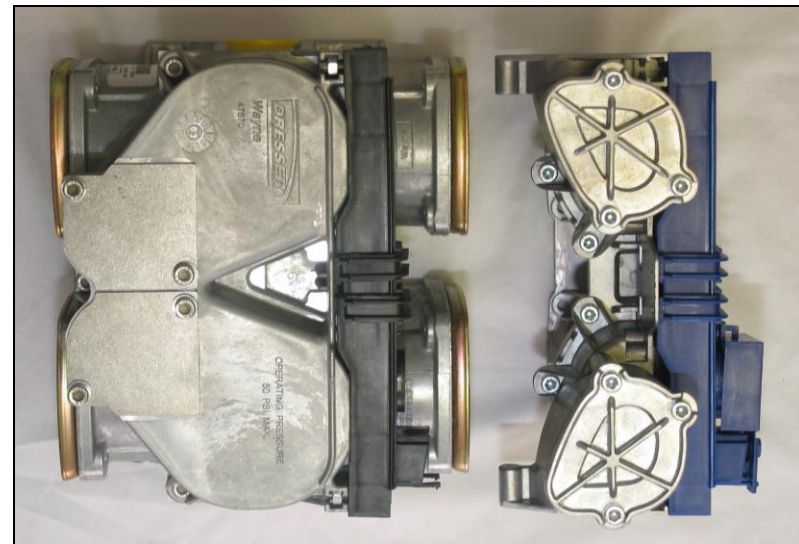
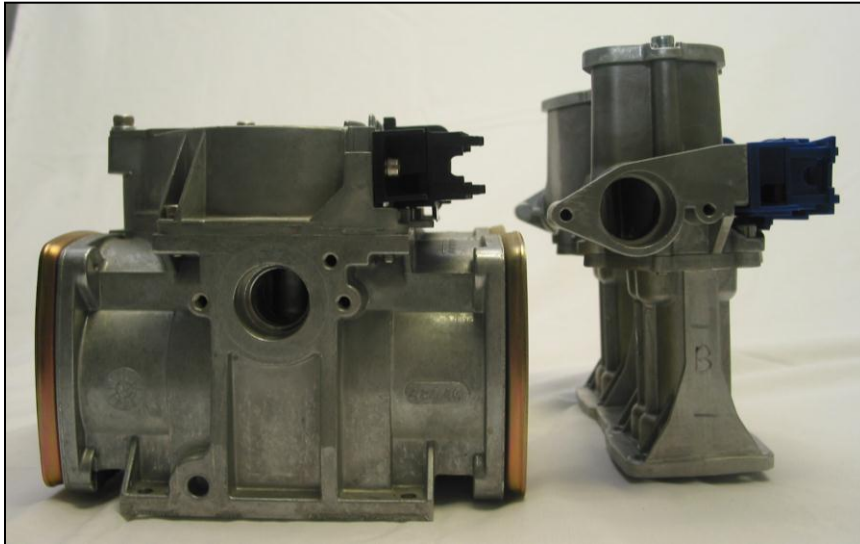
Xflo™ Next generation meter technology



**Wayne's Xflo™ meter dramatically improves accuracy overtime when compared to traditional piston meters**

- Single-step, electronic calibration
- Duplex pulser housing design and calibration doors
- Hydraulic inlet positions
- Plug and play form factor compatible with iMeter hydraulic design
  - *Facilitates future retrofit possibilities*
- Wayne's leading flow control valve technology

What have we kept the same?





# Dispensers

Xflo™ Next generation meter technology

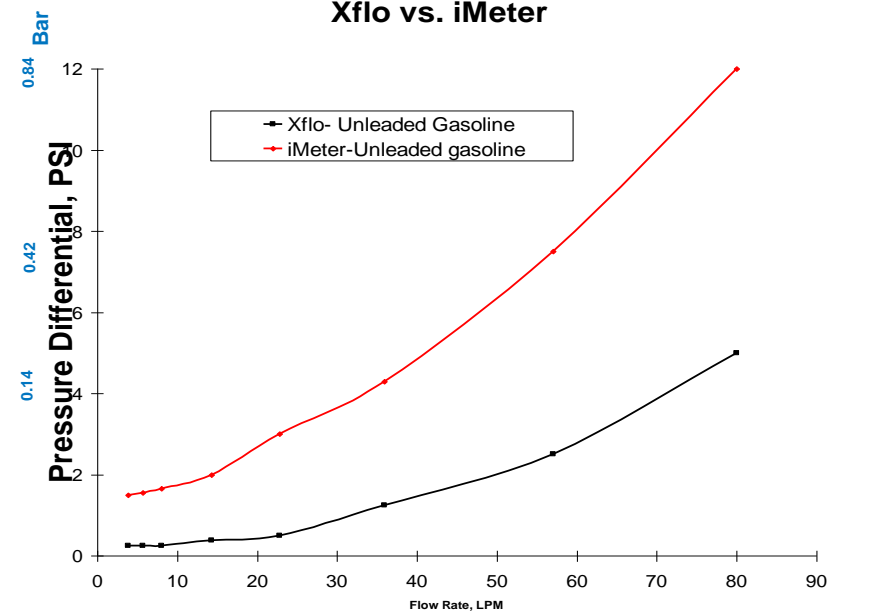


**Wayne's Xflo™ meter dramatically improves accuracy overtime when compared to traditional piston meters**

## What have we changed?

- Multiple calibration points stored in data table improve accuracy across all flow ranges (factory calibrated)
- More efficient hydraulic module design means more space
- Xflo™ Meter is an optional feature
- Standard 30 micron inlet filter
- Lower meter pressure drop mean higher flow rate
  - **Improves max flow to 115 lpm**

## Lower pressure drop means higher LPM





# Dispensers

Xflo™ Total Cost of Ownership



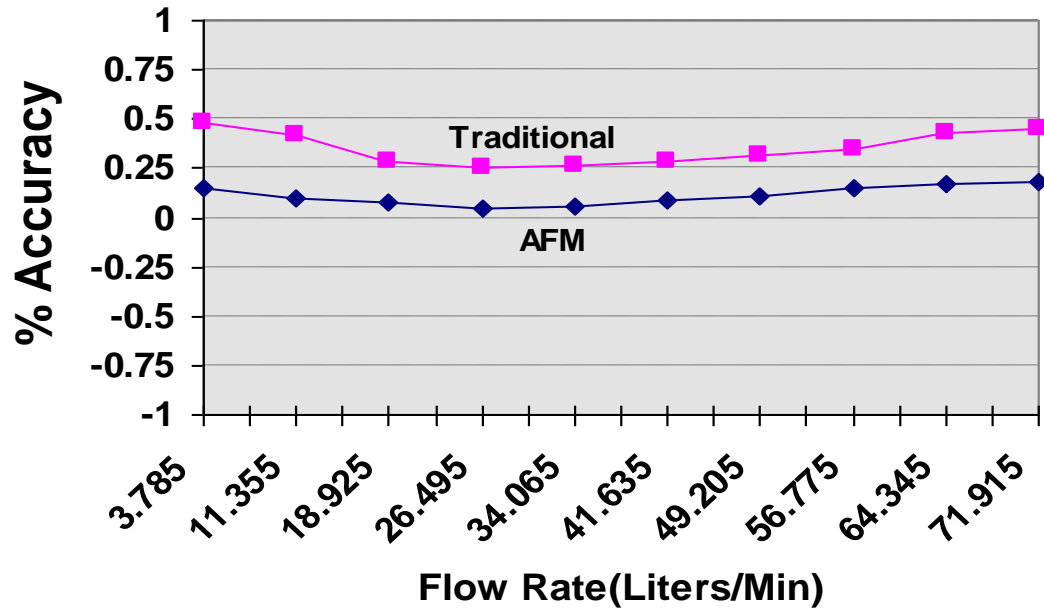
...and there are significant Cost of Ownership improvements that are easily measurable.

## Proven Advantages

- Extensive Testing: Lab, Lifetime & at Real Sites
- Outstanding field reports
  - Meters maintain factory tolerance
  - Field tested units installed for some years with the same performance
  - 3000 + Installed in US and UK since 2001 in Harmony dispensers

## Accuracy Over Flow Rate

AFM accuracy vs. traditional meter





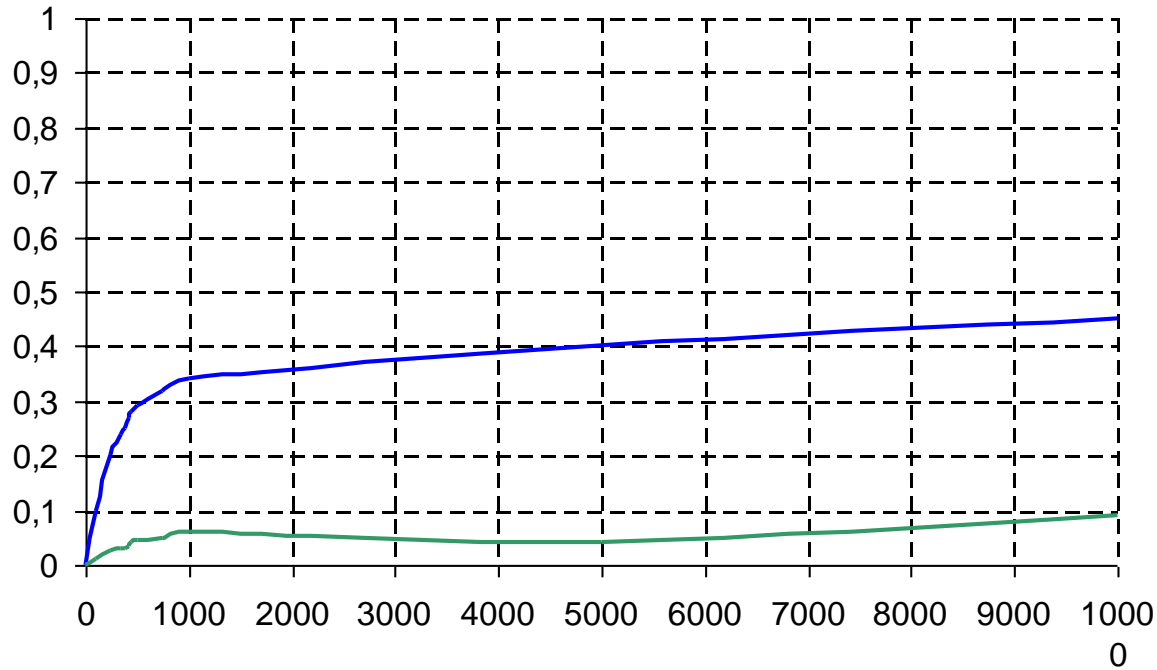
# Dispensers

Xflo™ Total Cost of Ownership



*...and there are significant Cost of Ownership improvements that are easily measurable.*

## Meter Accuracy Over Time

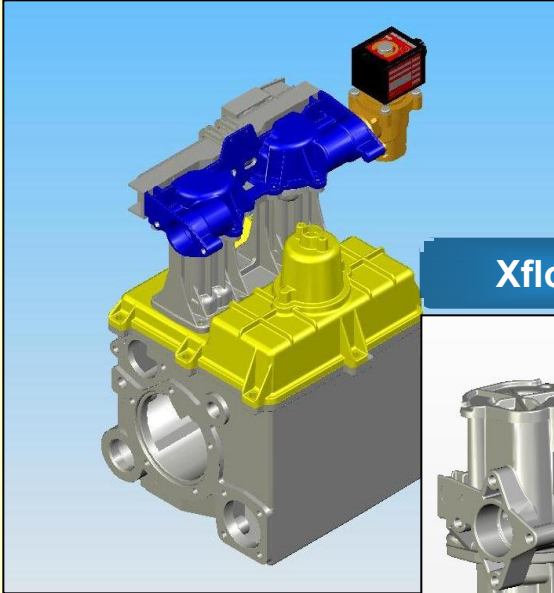


— Piston Meter — Xflo

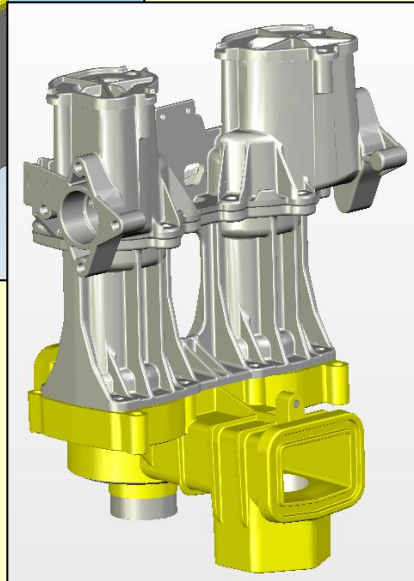




## Xflo™ Suction



## Xflo™ Remote



## Key Xflo™ steps over the original design

- Two meters in one casting, a patented solution implying a more compact design
- Integrated double bump connection
- One pulser (XWip) with one cable for two meters
- 4 wires for 2 meters reduces cable connections to a minimum